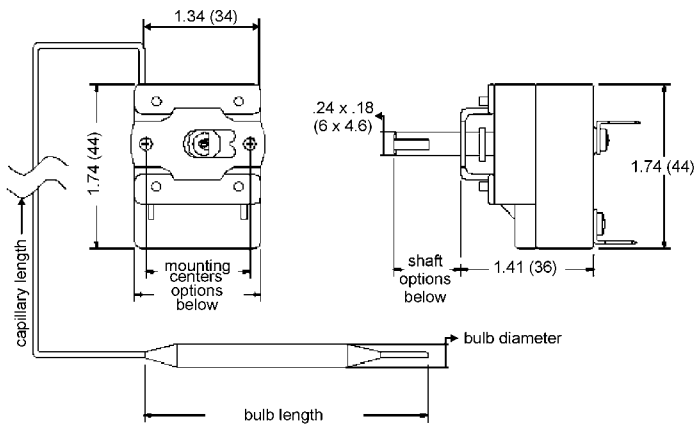


Bulb & Capillary Thermostats

CAP Series - Automatic Reset



Shaft Length		Mounting Bracket Center Holes	
Shaft diameter $\varnothing 24$ ($\varnothing 6$) x .18 (4.6)			
inches	mm	inches	mm
0.52	13	1.1	28/M4 thread
0.71	18	1.3	33/6-32 thread
0.87	22	1.7	44/6-32 thread
●	●	●	●

FEATURES

- Stock models
- 20 Amps capacity
- All agency approvals

APPLICATIONS

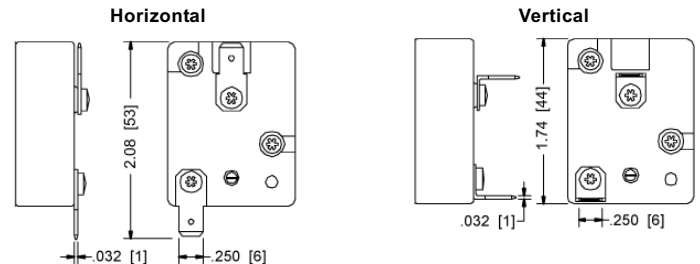
- Heaters
- Test systems
- Food service equipment

Selco's bulb and capillary thermostats have a fluid filled bulb. When temperature rises, the bulb fluid expands via a capillary tube to an expandable diaphragm within the remote thermostat set point. The thermostats are compact and have ceramic bodies. Accessories include knobs and dials that allow selection of the temperature set point.

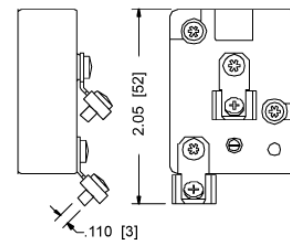
SPECIFICATIONS

Temperature range	32°F to 752°F (0°C to 400°C)
UL electrical ratings	120/240VAC, 20 Amps, Resistive, 100,000 Cycles 120VAC, 5 Amps, Inductive, 100,000 Cycles 240VAC, 2.9 Amps, Inductive, 100,000 Cycles 1/4 Horsepower, 100,000 Cycles 125VA (pilot duty), 100,000 Cycles
VDE electrical ratings	250VAC, 5 Amps, Inductive 400VAC, 1 Amp, Inductive 10,000 Cycles
Options can include	Compression fittings for mounting, screw terminals, quick connects, gold contacts, SPDT, earth terminals, dial layouts, plastic coating to prevent moisture
Approvals	UL Recognized File No. E168164(S), XAPX2 C-UL Recognized File No. E168164(S), XAPX8 E.C. Declaration of Conformity RoHS Compliant
European	VDE, SEMKO, KEMA

Terminal Options



Screw (#8-32 or 4mm)



It is the customer's sole responsibility to specify and determine the suitability of a particular control or component based on their unique individual applications and requirements

Bulb & Capillary Thermostats

CAP Series - Automatic Reset

Models available from stock - subject to availability

Model Number	Temperature Range (°F)	Set Point	Switch	Material	Capillary Length (inches)	Bulb Length (inches)	Bulb Diameter (inches)
CAP-40-105-R	40-105	Adjustable	SPST	Copper	60	6.0	.24
CAP-56-120-R	56-120	Adjustable	SPST	Stainless Steel	60	7.0	.20
CAP-57-104	57-104	Adjustable	SPST	Copper	43	4.7	.250
CAP-60-150-SS	60-150	Adjustable	SPST	Stainless Steel	16	4.5	.19
CAP-60-450	60-450	Adjustable	SPST	Stainless Steel	36	3.0	.20
CAP-75-140-R	75-140	Adjustable	SPST	Stainless Steel	36	7	.20
CAP-85-195	85-195	Adjustable	SPST	Copper	36	3.6	.24
CAP-85-230-R	85-230	Adjustable	SPST	Copper	36	3.3	.24
CAP-100-320	100-320	Adjustable	SPST	Stainless Steel	36	4.5	.19
CAP-120-392-1	120-392	Adjustable	SPDT	Stainless Steel	36	4.8	.19
CAP-120-428	120-428	Adjustable	SPST	Copper	36	5.1	.20
CAP-120-570	120-570	Adjustable	SPST	Copper	36	3.5	.20
CAP-122-482	122-482	Adjustable	SPST	Copper	36	3.6	.20
CAP-140-475	140-475	Adjustable	SPST	Copper	21	4.9	.20
CAP-140-752	140-752	Adjustable	SPST	Stainless Steel	17	6.2	.118
CAP-150-285	150-285	Adjustable	SPST	Copper	36	4.7	.250
CAP-176-400	176-400	Adjustable	SPST	Copper	47	4.6	.24

Standard Temperature Ranges	Tolerance	Differential
4-40°C (40-104°F)	±2°C (±3.6°F)	1.5°±1C (2.7°±1.8°F)
30-90°C (85-195°F)	±3°C (±5.4°F)	4°±2°C (7.2°±3.6°F)
30-110°C (85-230°F)	±4°C (±7.2°F)	4°±2°C (7.2°±3.6°F)
50-200°C (122-392°F)	±8°C (±14.4°F)	7°±4°C (12.6°±7.2°F)
50-220°C (122-428°F)	±8°C (±14.4°F)	7°±4°C (12.6°±7.2°F)
50-250°C (122-482°F)	±9°C (±16.2°F)	7°±4°C (12.6°±7.2°F)
50-300°C (122-570°F)	±9°C (±16.2°F)	7°±4°C (12.6°±7.2°F)
60-400°C (140-752°F)	±12°C (±21.6°F)	9°±4°C (16.2°±7.2°F)

Shaft Length Shaft diameter ø24 (6) x .18 (4.6)		Mounting Bracket Center Holes	
inches	mm	inches	mm
0.52	13	1.1	28/M4 thread
0.71	18	1.3	33/6-32 thread
0.87	22	1.7	44/6-32 thread
-	-	•	•

Standard Mechanical Specifications

Temperature Ranges		Max. Ambient Exposure of Thermostat Case		Max. Working Temperature of the Bulb		Diameter of Copper Bulb				Diameter of Stainless Steel Bulb				Capillary Length	
						Length		Diameter		Length		Diameter			
°F	°C	°F	°C	°F	°C	inches	mm	inches	mm	inches	mm	inches	mm	inches	mm
140-752	60-400	302	150	752	400	•	•	•	•	6.3	160	.12	3	35.4	900
120-570	50-300	302	150	600	315	9.6	245	0.12	3.1	7.6	195	.12	3	35.4	900
120-570	50-300	302	150	600	315	6	152	0.15	4	•	•	•	•	35.4	900
120-570	50-300	302	150	600	315	3.4	87	0.19	5	3	76	.19	5	35.4	900
120-428	50-220	302	150	448	231	5	127	0.19	5	4	100	.19	5	35.4	900
120-392	50-200	302	150	410	210	3.7	96	0.24	6	4.3	109	.19	5	35.4	900
40-105	4-40	176	80	111	44	6	153	0.24	6	7	180	.19	5	35.4	900
85-195	30-90	212	100	210	99	3.6	92	0.24	6	4.3	109	.19	5	35.4	900
85-230	30-110	212	100	249	121	3	76	0.24	6	3.5	90	.19	5	35.4	900
85-248	30-120	212	100	270	132	3.6	92	0.24	6	2.9	75	.19	5	35.4	900
85-302	30-150	212	100	316	158	4.1	106	0.24	6	•	•	•	•	35.4	900

It is the customer's sole responsibility to specify and determine the suitability of a particular control or component based on their unique individual applications and requirements